



RECTUM



www.convertualinterlogic.com



+234 8033200998
+234 8180003461



enquiries@convertualinterlogic.com



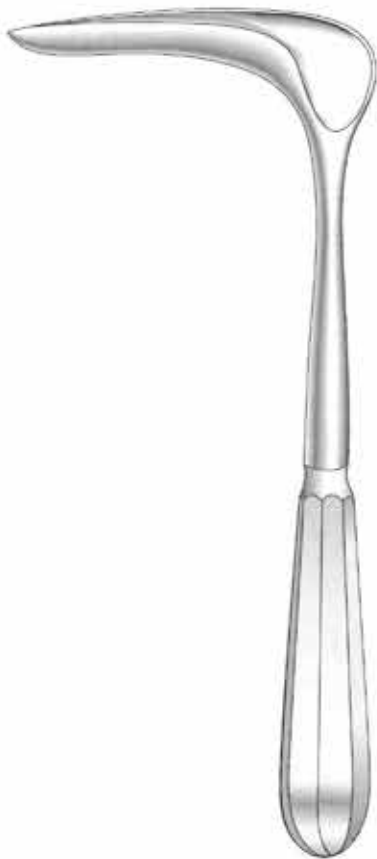
1 Anu Crescent, Off Ado-Badore Road,
Ajah, Lagos, Nigeria



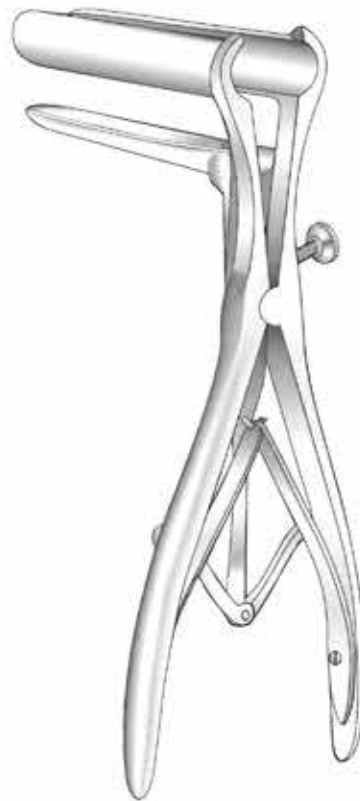
Sims
J-36-002 Chrome plated
J-36-202 Stainless steel
 15 cm / 6"



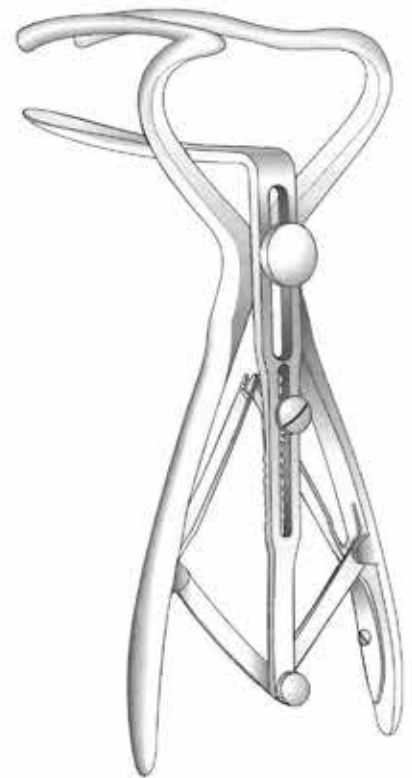
Sims
J-36-003 Chrome plated
J-36-203 Stainless steel
 15 cm / 6"



Czerny
J-36-004 Chrome plated
J-36-204 Stainless steel
 22 cm / 8 1/2"



Mathieu
J-36-005 Chrome plated
J-36-205 Stainless steel
 19.5 cm / 7 3/4"
 Working length 90 mm

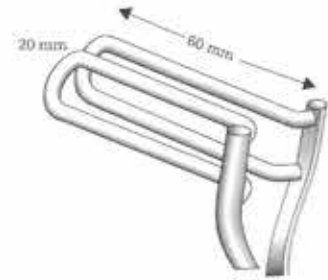
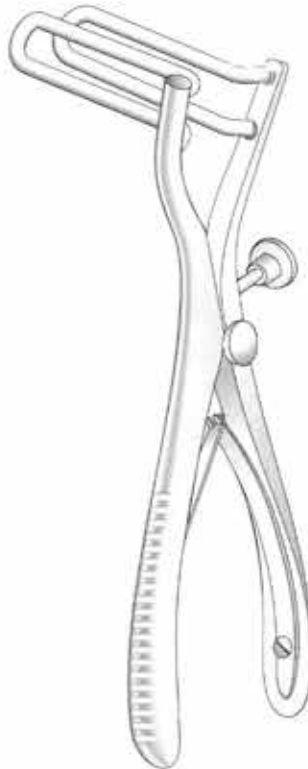


Cook
J-36-009 Chrome plated
J-36-209 Stainless steel
 20 cm / 8"
 4" deep 1/2" wide

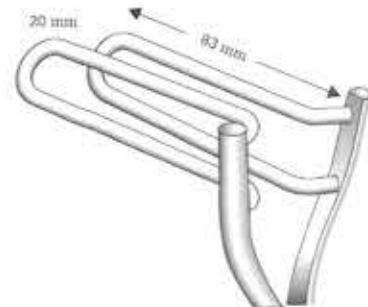
Rectum
Rectal Specula
Mastdarm-Spekula
Especulas rectales



Sawyer
J-36-006 22 x 37 mm 11"
J-36-007 35 x 79 mm 11"
J-36-008 22 x 87 mm 11"
 28 cm / 11"



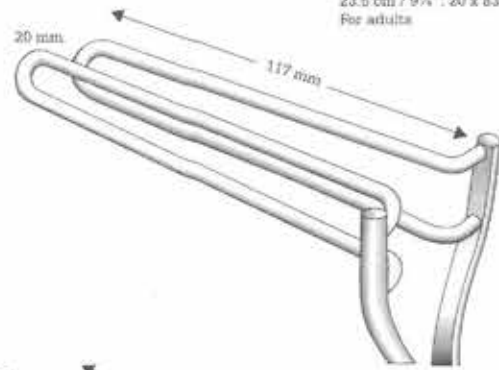
Sims
J-36-012 Chrome plated
J-36-212 Stainless steel
 19 cm / 7 1/2" : 20 x 60 mm
 For children



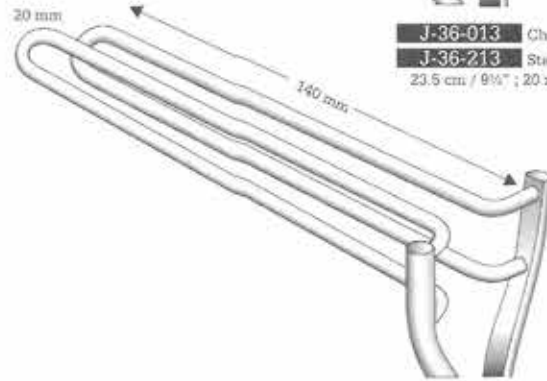
Sims
J-36-014 Chrome plated
J-36-214 Stainless steel
 23.5 cm / 9 1/4" : 20 x 83 mm
 For adults



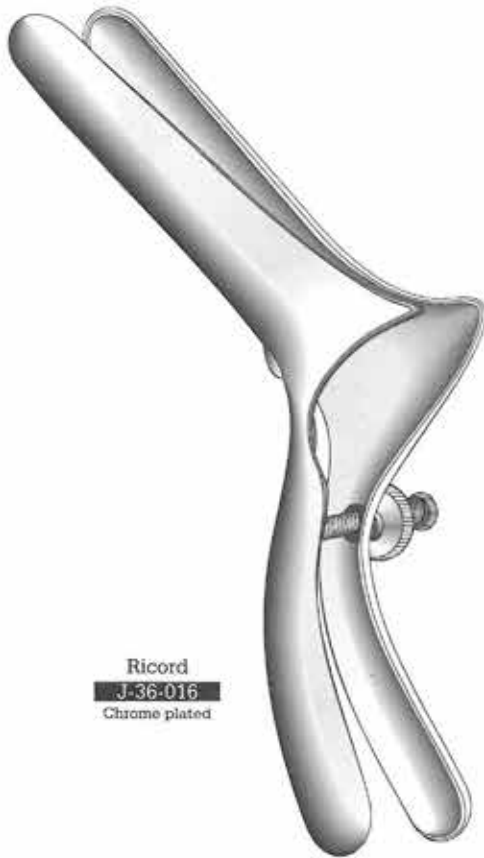
Hill-Ferguson
J-36-010 22 x 65 mm, Small blades
 21.5 cm / 8 1/2"
J-36-011 30 x 75 mm, Large blades
 22 cm / 8 3/4"



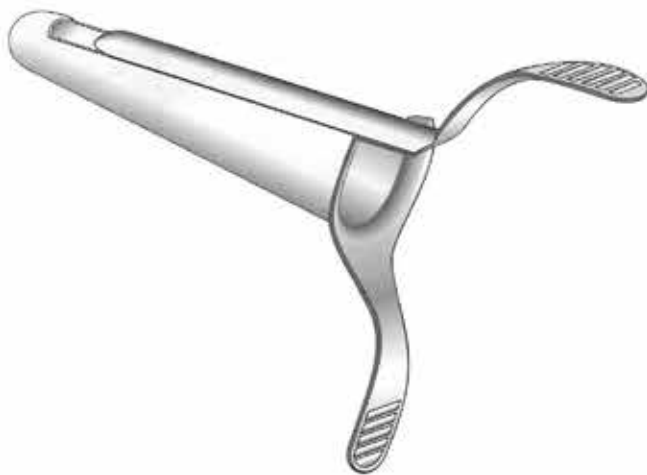
J-36-013 Chrome plated
J-36-213 Stainless steel
 23.5 cm / 9 1/4" : 20 x 117 mm



J-36-015 Chrome plated
J-36-215 Stainless steel
 24.5 cm / 9 3/4" : 20 x 140 mm



Ricord
J-36-016
 Chrome plated



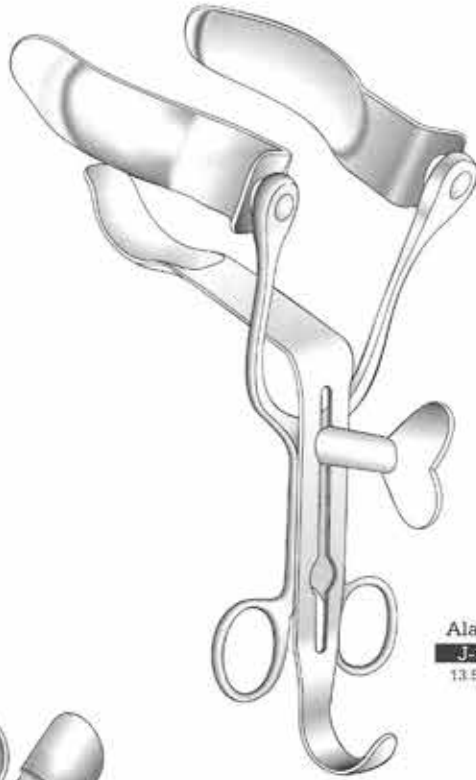
Brinkerhoff
J-36-017 Small
J-36-018 Medium
J-36-019 Large
 Chrome plated



Pratt
J-36-020 Chrome plated
J-36-218 Stainless steel
 20.5 cm / 8"

Rectum

Rectal Speculum & Retractors
Analspriezer und Wundhaken
Especulos Re-ctales Y Separadores



Alan Parks
J-36-021
13.5 cm / 5 1/4"

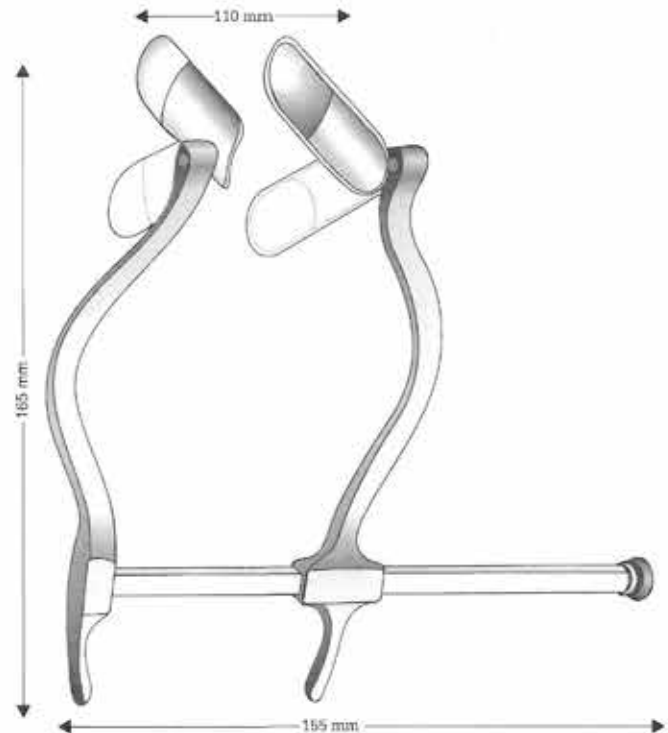


22 mm

22 mm



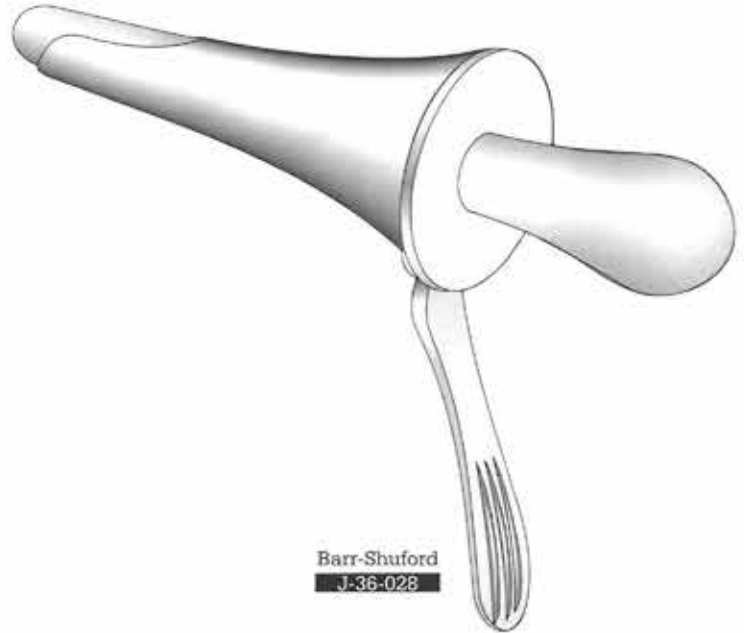
Barr
J-36-024
20.5 cm / 8"



Smith-Buie
J-36-025



Fansler
J-36-027
60 x 35 mm

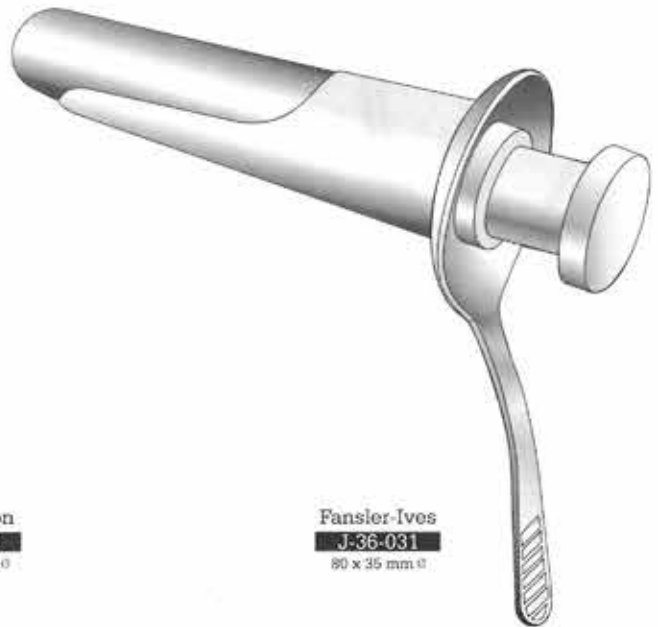


Barr-Shuford
J-36-028



J-36-030
Obturator for J-36-029

Pennington
J-36-029
85 x 25 mm^Ø



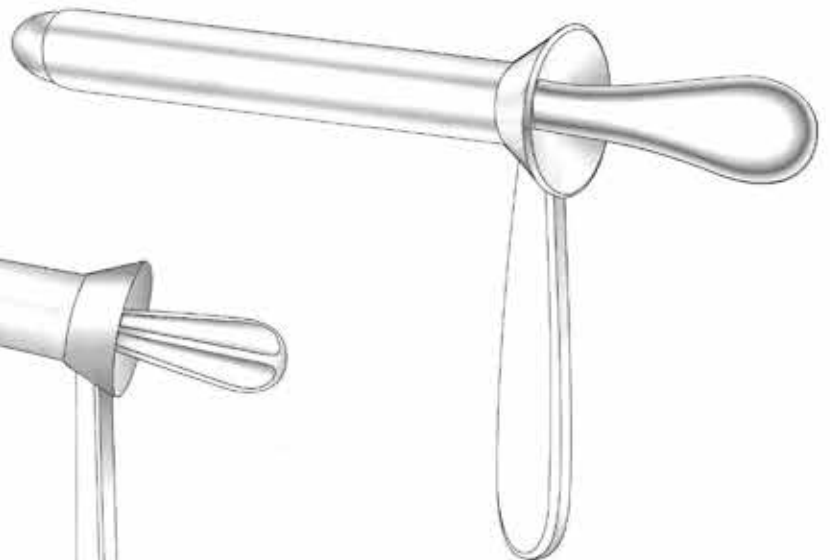
Fansler-Ives
J-36-031
80 x 35 mm^Ø



Kelly
J-36-032 50 x 21 mm (I)
J-36-033 50 x 27 mm (I)



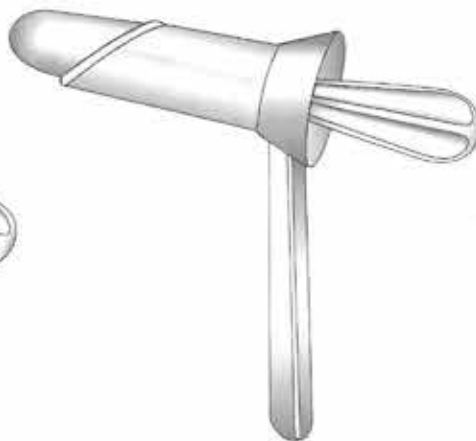
Kelly
J-36-034 64 x 25 mm (I)
J-36-035 36 x 22 mm (I)



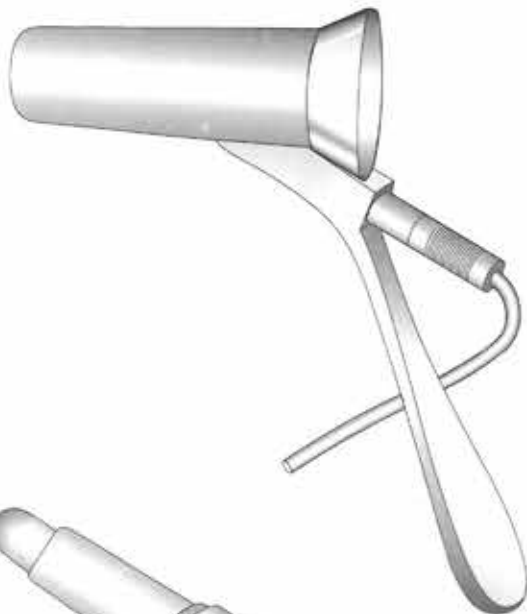
Kelly
J-36-039 50 x 22 mm (I)
J-36-220 75 x 22 mm (I)
J-36-040 100 x 22 mm (I)
J-36-041 144 x 22 mm (I)
J-36-042 200 x 22 mm (I)



Gabriel
J-36-036 64 x 24 mm (I)
J-36-037 49 x 19 mm (I)



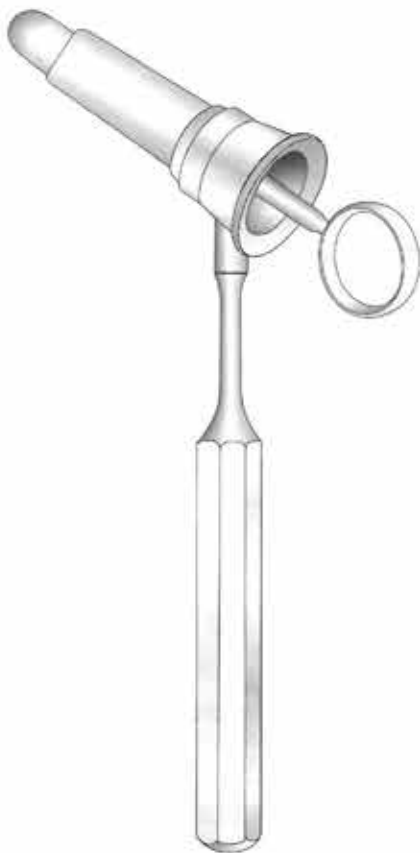
Graeme-Anderson
J-36-038
 64 x 24 mm (I)



Naunton-Morgan
J-36-043
 70 x 22 mm Ø



Sumikoshi
J-36-225
 19 cm / 7 1/2"
 Heavy type, tatched
 beckman, eaton type

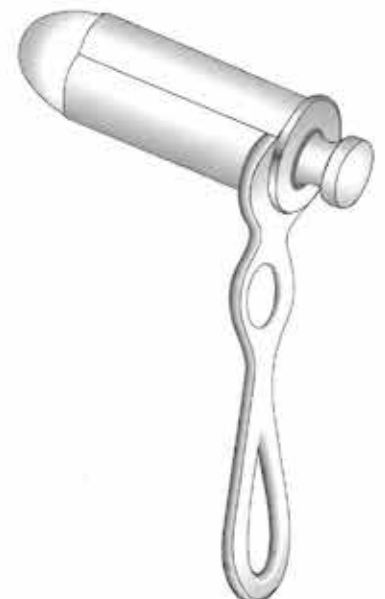


Bensaude
J-36-049 70 x 19 mm Ø
J-36-050 70 x 22 mm Ø



Hirschmann
J-36-044 65 x 16 mm Ø
J-36-045 65 x 19 mm Ø
J-36-046 65 x 22 mm Ø
 Chrome plated

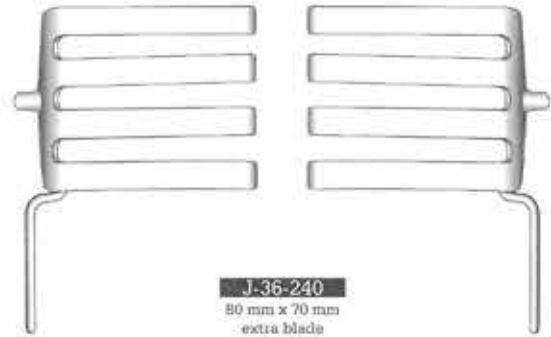
J-36-344
J-36-345
J-36-346
 Stainless steel



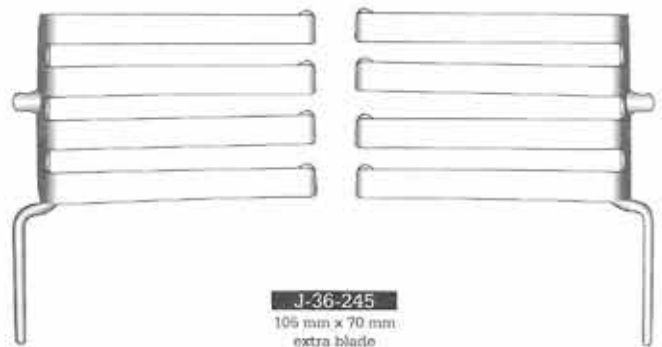
Chelsea Eaton
J-36-047 75 x 22 mm Ø
J-36-048 75 x 32 mm Ø



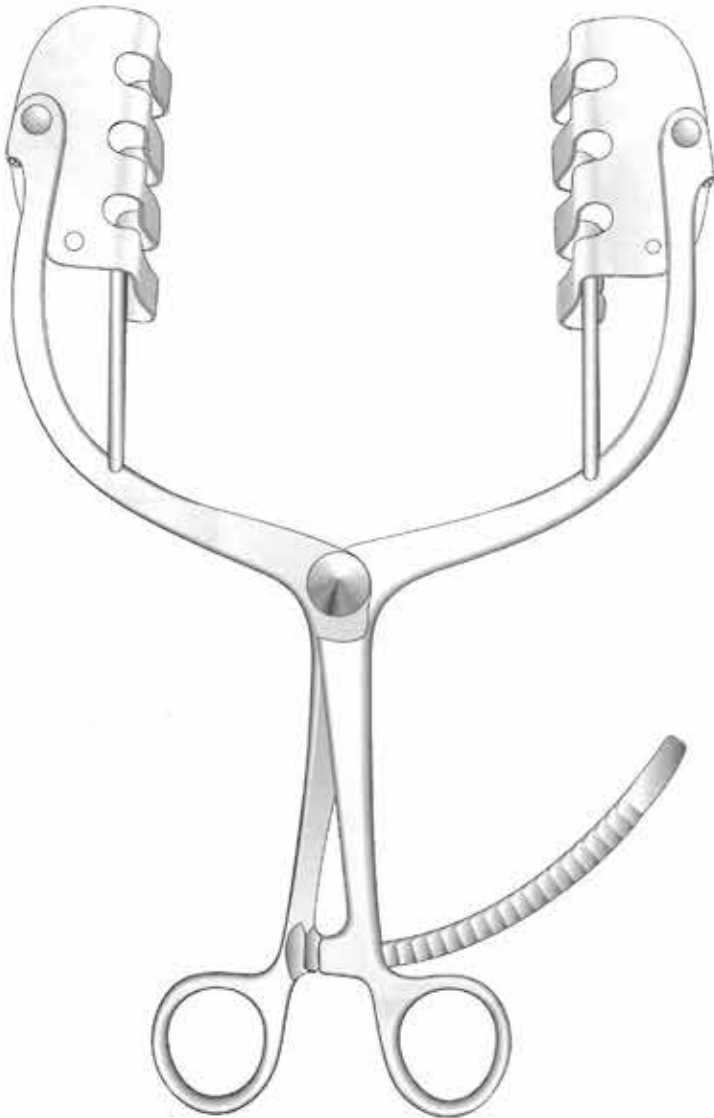
J-36-235
65 mm x 70 mm



J-36-240
80 mm x 70 mm
extra blade

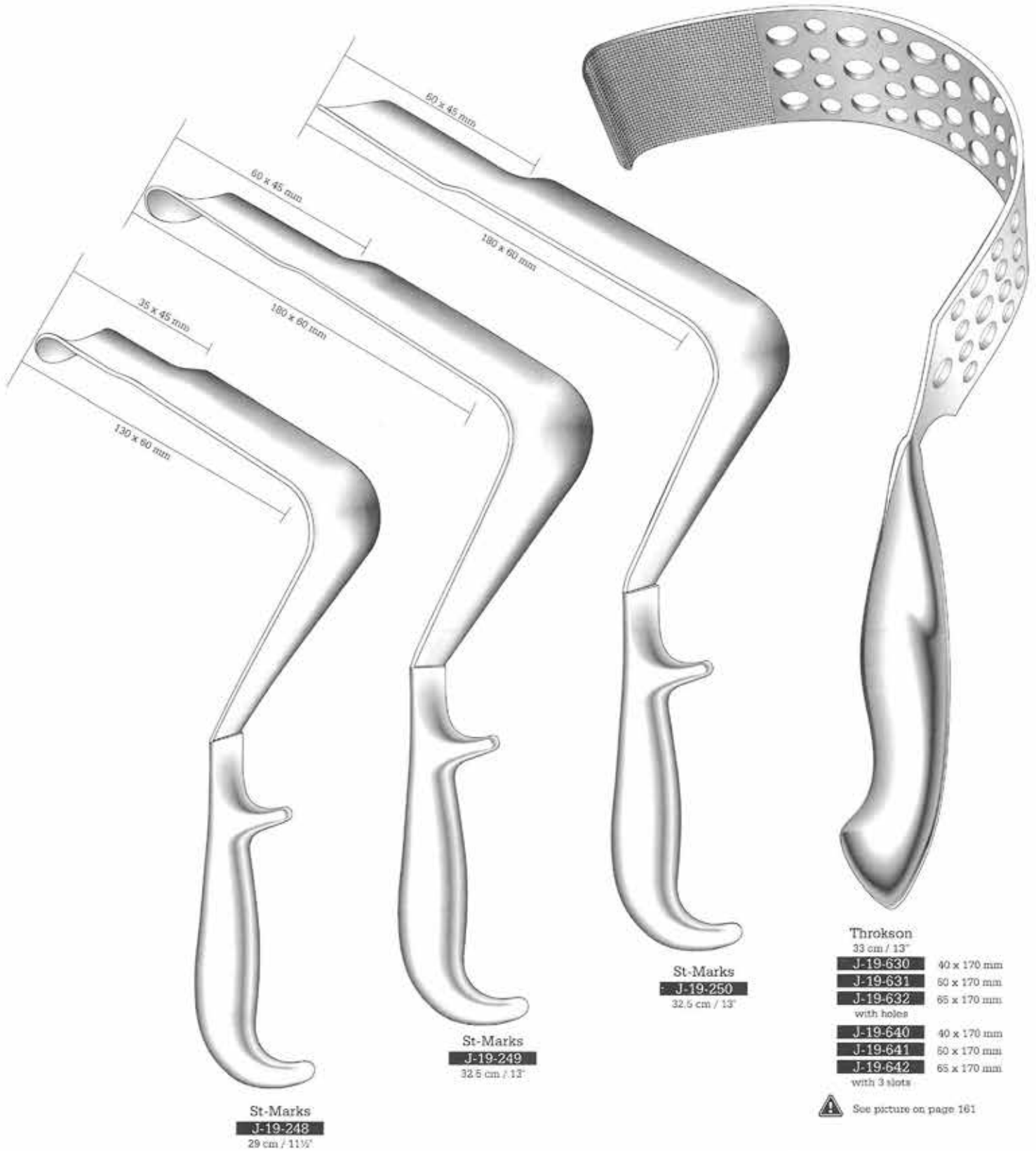


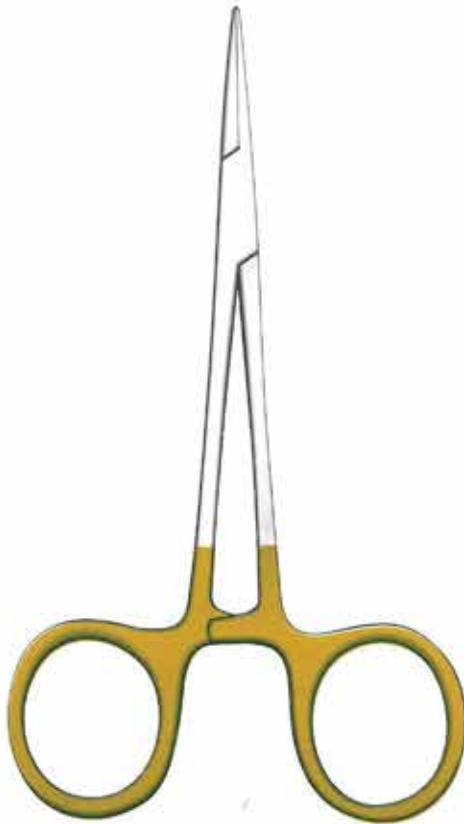
J-36-245
105 mm x 70 mm
extra blade



St-Marks
J-36-230

Complete with 3 pairs of blades
Perineal retractor with towel pegs
fitted to swivel rake blades

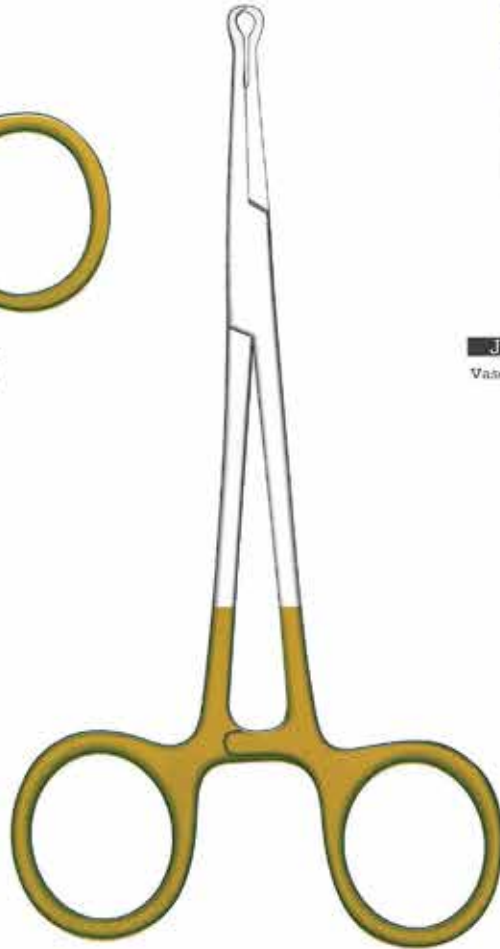




J-36-051 12 cm
J-36-251 14 cm
Vasectomy forceps



J-36-052
Vasectomy hook



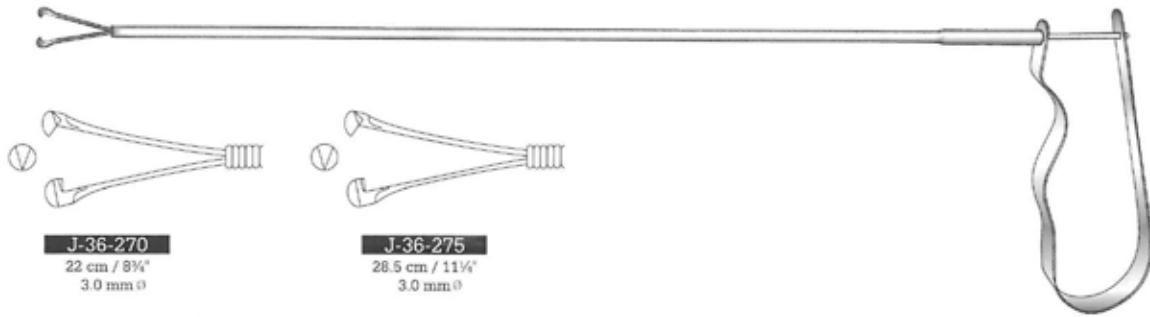
J-36-053 3 mm tip
J-36-253 5 mm tip
Vasectomy towel clamp



Vasectomy
J-36-260
18 cm / 7"
Tip 3.7 mm



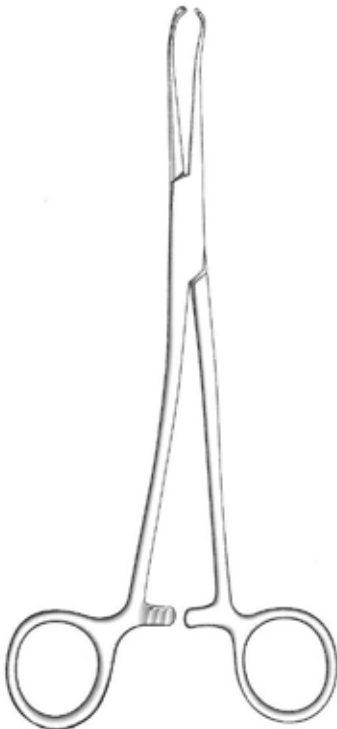
J-36-054
 37.5 cm / 15"
J-23-091
 45 cm / 17 3/4"



J-36-270
 22 cm / 8 3/4"
 3.0 mm Ø

J-36-275
 28.5 cm / 11 1/4"
 3.0 mm Ø

Flexible shaft
 For grasping intra uterine pessary



Mc-Givney
J-36-280
 Reverse jaws



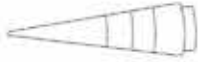
Mc-Givney
J-36-055
 19 cm / 7 1/2"

Rectum

Heamorrhoidel Forceps

Hamorrhoidalzangen

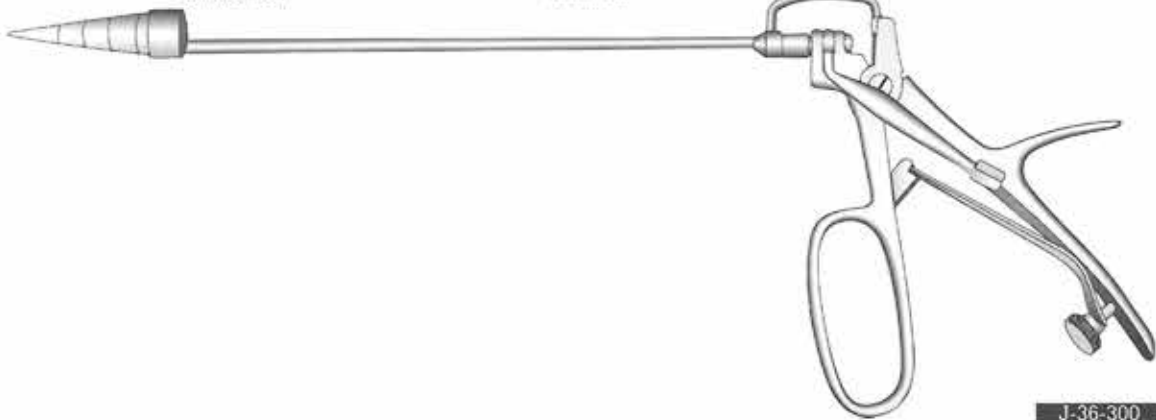
Pinzas-clamps hemorroidales



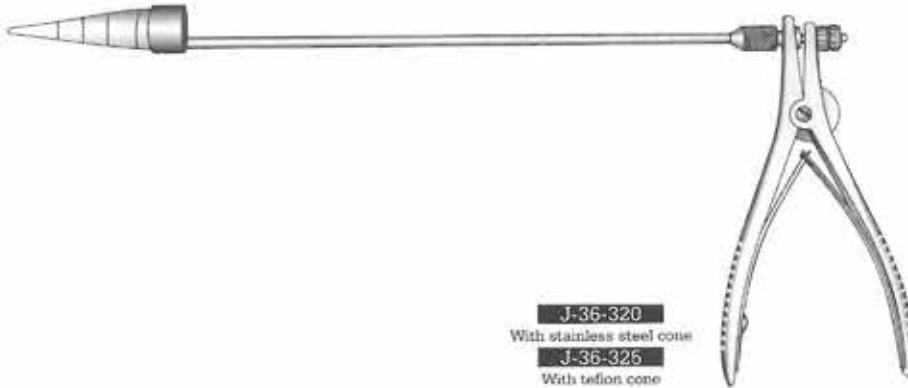
J-36-310
Stainless steel



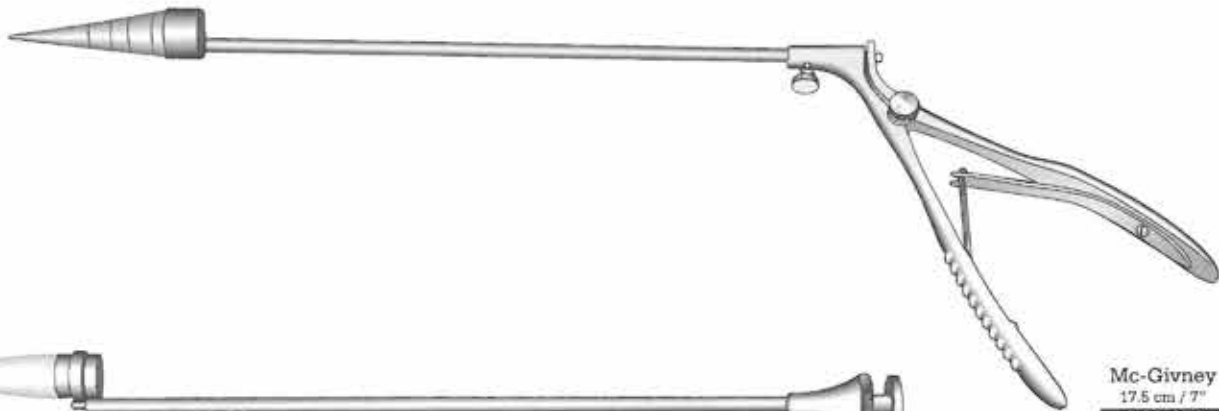
J-36-315
Teflon cone



J-36-300
With stainless steel cone
J-36-305
With teflon cone



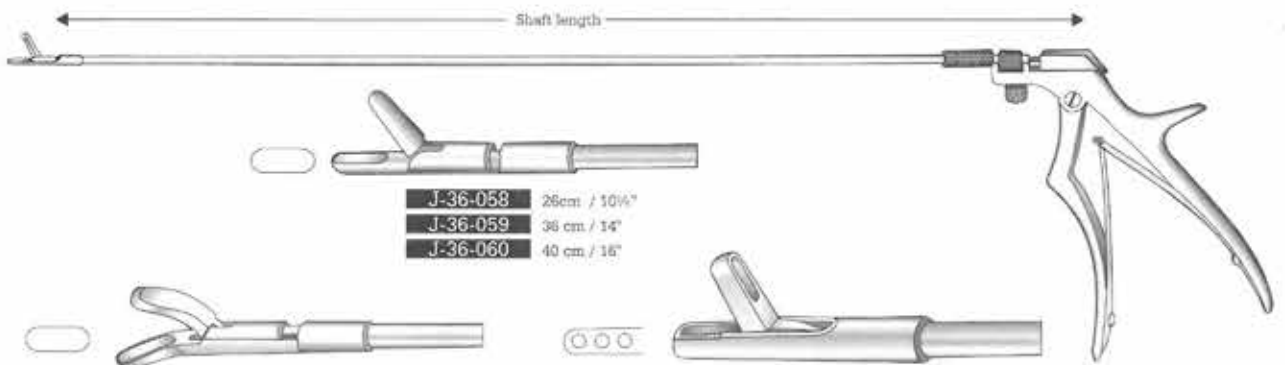
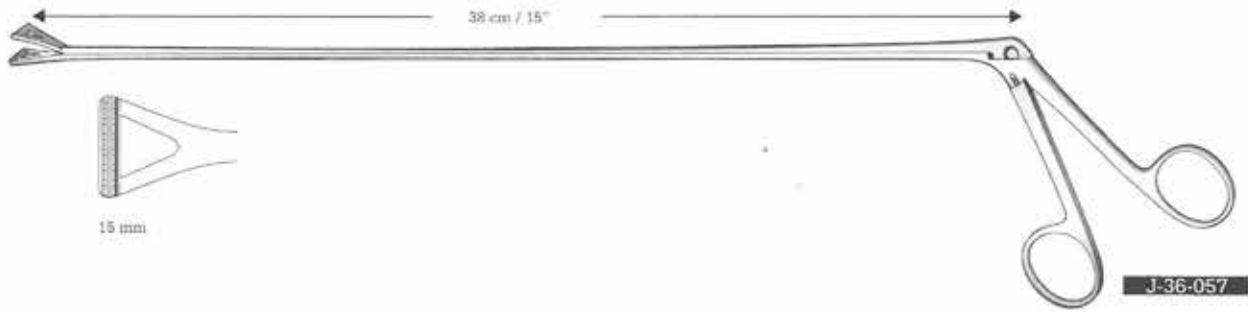
J-36-320
With stainless steel cone
J-36-326
With teflon cone



Mc-Givney
17.5 cm / 7"
J-36-056
With stainless steel cone
J-36-356
With teflon cone



J-36-360
With stainless steel cone
J-36-365
With teflon cone



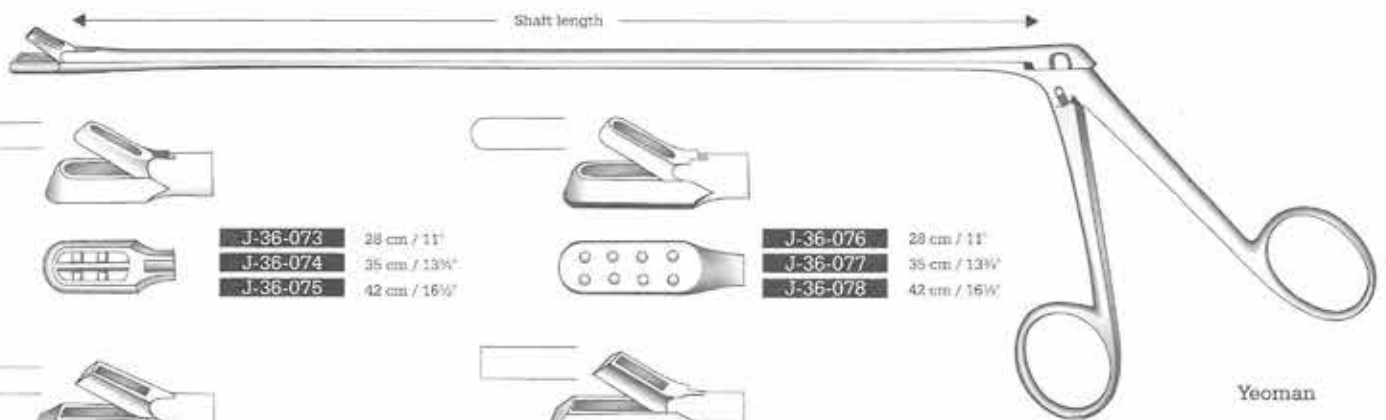
- J-36-058** 26 cm / 10 1/4"
- J-36-059** 36 cm / 14"
- J-36-060** 40 cm / 16"

- J-36-061** 26 cm / 10 1/4"
- J-36-062** 36 cm / 14"
- J-36-063** 42 cm / 16 1/2"

- J-36-064** 26 cm / 10 1/4"
- J-36-065** 36 cm / 14"
- J-36-066** 42 cm / 16 1/2"

- J-36-067** 26 cm / 10 1/4"
- J-36-068** 36 cm / 14"
- J-36-069** 42 cm / 16 1/2"

- J-36-070** 26 cm / 10 1/4"
- J-36-071** 36 cm / 14"
- J-36-072** 42 cm / 16 1/2"



- J-36-073** 28 cm / 11"
- J-36-074** 35 cm / 13 3/4"
- J-36-075** 42 cm / 16 1/2"

- J-36-076** 28 cm / 11"
- J-36-077** 35 cm / 13 3/4"
- J-36-078** 42 cm / 16 1/2"

- J-36-079** 28 cm / 11"
- J-36-080** 35 cm / 13 3/4"
- J-36-081** 42 cm / 16 1/2"

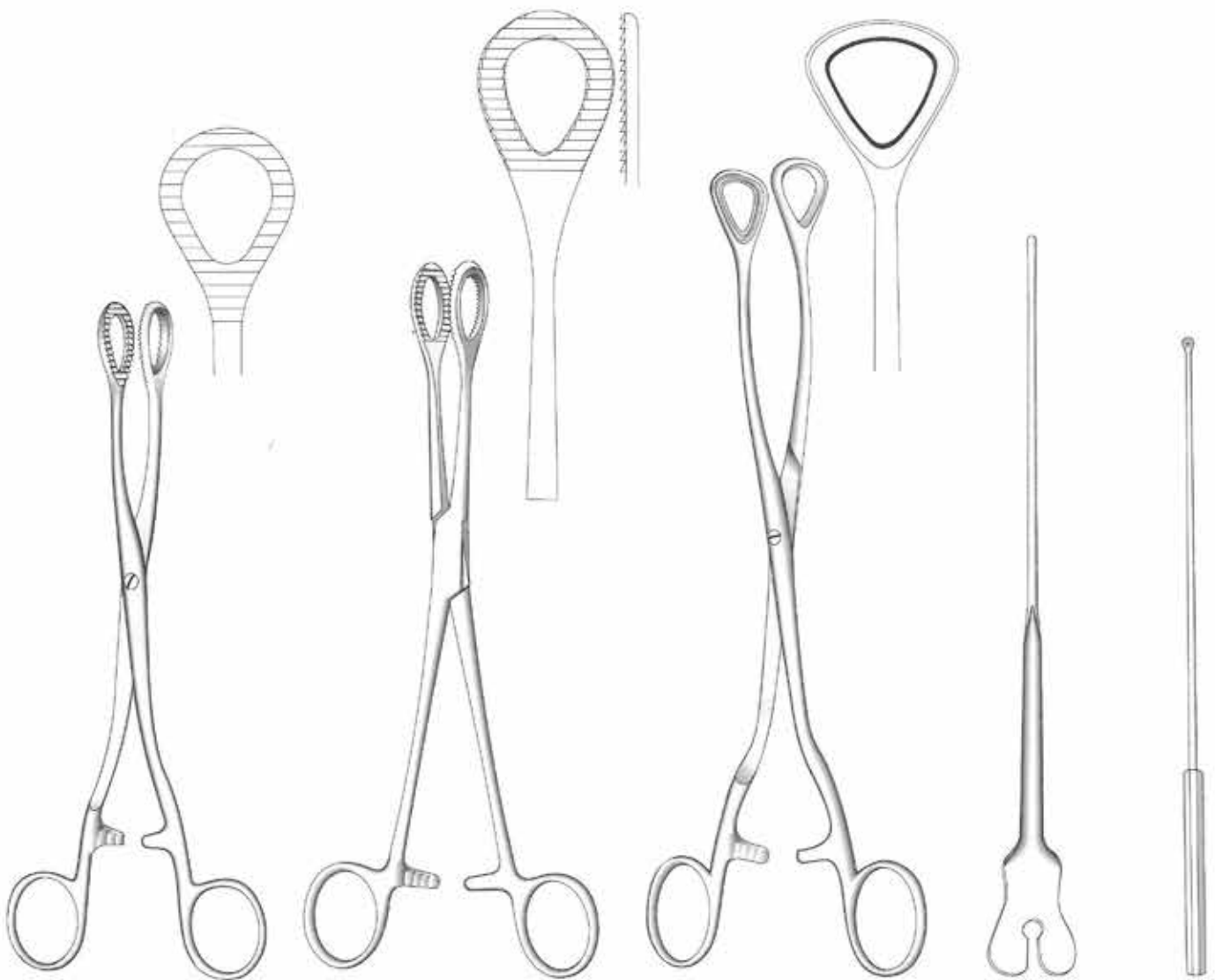
- J-36-082** 28 cm / 11"
- J-36-083** 35 cm / 13 3/4"
- J-36-084** 42 cm / 16 1/2"

Rectum

Rectal Forcep, Grooved Directors

Mastdarmzangen, Hohlsonden

Pinzas clamps rectal, Sondas acanaladas



Heywood-Smith
J-36-085
20 cm / 8"

Heywood-Smith
J-36-086
21 cm / 8 1/4"

Leur
J-36-087
24.5 cm / 9 3/4"

Larry
J-36-088
18 cm / 7"

Barr
J-36-089
29 cm / 11 1/4"
Fistula probe

