



DIAGNOSTIC & ANAESTHESIA



www.convertualinterlogic.com



+234 8033200998
+234 8180003461



enquiries@convertualinterlogic.com



1 Anu Crescent, Off Ado-Badore Road,
Ajah, Lagos, Nigeria



J-12-027
 Otoscope set, consisting of battery handle
 (without batteries), 3 ear specula, 1 bulb, in velvet lined case



J-12-023



J-12-024



J-12-025



J-12-026



Universal Set
J-12-022



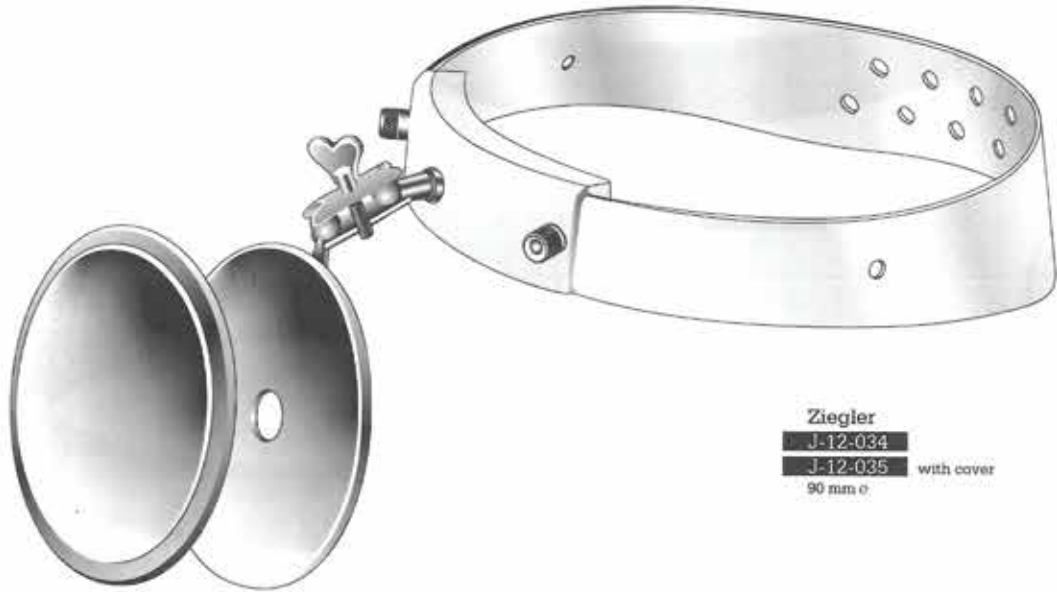
Ziegler
J-12-028 90 mm \varnothing
J-12-029 100 mm \varnothing



J-12-030 90 mm \varnothing
J-12-031 100 mm \varnothing
With Cover



Ziegler
J-12-032 90 mm \varnothing
J-12-033 100 mm \varnothing
with cover



Ziegler
J-12-034
J-12-035 with cover
90 mm ø



Ziegler
J-12-036
J-12-037 with cover
90 mm ø



Ziegler
J-12-038
J-12-039 with cover
90 mm ø

Diagnostic

Sensibility Instruments & Stethoscopes

Sensibilitats-Instrumente Y Stethoskope

Instrumentos Para Examinar la sensibilidad und Estetoscopios



Wartenberg

J-12-012

18 cm / 7"

Pinwheel for neurological examination



Pinard

J-12-013

With detachable base

J-12-213

With fixed base

15.5 cm / 6"

Aluminium



Pinard

J-12-014

14.5 cm / 5 7/8"

Wooden



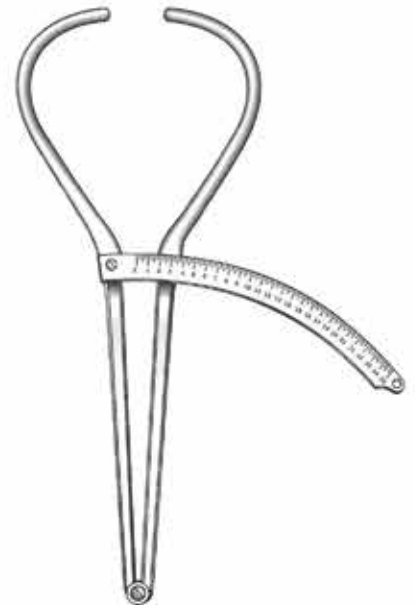
Townley
J-12-015
 10 cm / 4"



Marchac
J-12-050
 Measuring rang 80 mm



Jamison
J-12-051



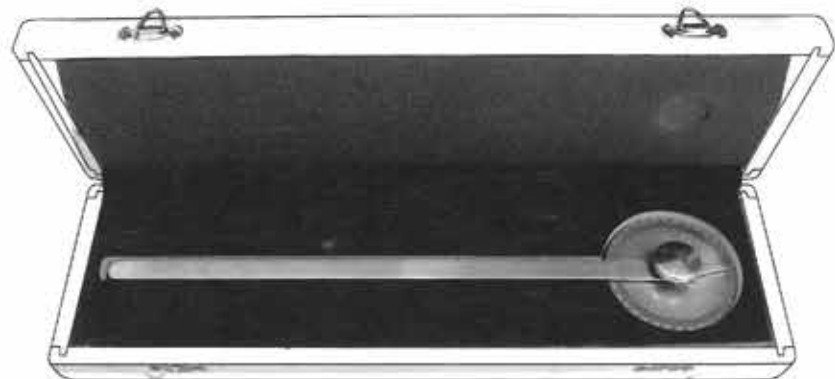
Bertillon
J-12-016



Moltgen
J-12-019
 For extremities



Thole
J-12-018
 34 cm / 13 1/2"
 Goniometer, Graduated in centimeter
 For Internal and External measurement



J-12-080
 Goniometer

Diagnostic

Examination and Measuring Instruments (Calipers)

Pruf - und MeBinstrumente (Schieblehren)

Instrumentos Para Exámenes Y Medidas (Calibres)



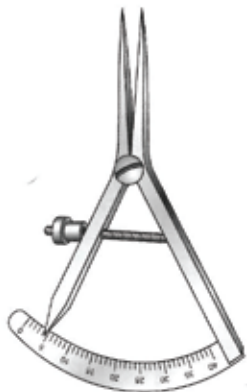
Castroviejo
J-12-017
8 cm / 3 1/4"
Measuring range 15 mm



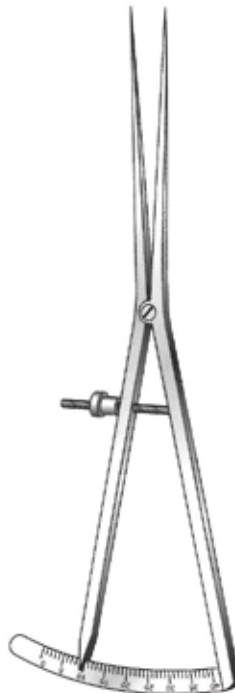
Castroviejo
J-12-060
8 cm / 3 1/4"
Measuring range 20 mm



Castroviejo
J-12-061
8 cm / 3 1/4"
Measuring range 20 mm
Curved



Castroviejo-Epker
J-12-062
9 cm / 3 1/2"
Measuring range 40 mm



Castroviejo-Epker
J-12-063
18 cm / 7"
Measuring range 40 mm



Castroviejo-Epker
J-12-069
18 cm / 7"
Measuring range 40 mm
Curved



Taylor
J-12-001 18 cm / 7"
J-12-002 20 cm / 8"
 Stainless steel
J-12-201 18 cm / 7"
J-12-202 20 cm / 8"
 Chrome plated (Brass)



Dejerine
J-12-004
 Stainless steel
J-12-234
 Chrome plated (Brass)
 20 cm / 8"



Dejerine
J-12-005
 Stainless steel
J-12-235
 Chrome plated (Brass)
 21 cm / 8 1/4"
 With needle



J-12-208
Spare rubber large

J-12-209
Spare rubber small



Berliner
J-12-006
 17 cm / 6 3/4"
J-12-007
 20 cm / 8"
 (Brass)



Troemner
J-12-008
 Stainless steel
J-12-247
 Chrome plated (Brass)
 24.5 cm / 9 3/4"



Traube
J-12-081
 Stainless steel
J-12-250
 Chrome plated (Brass)
 19 cm / 7 1/2"
 190 gm
 Wooden handle



J-12-204
Spare rubber small



Buck
J-12-003
 Stainless steel
J-12-243
 Chrome plated (Brass)
 18 cm / 7"
 With needle and brush



J-12-255
 Spare needle only

J-12-256
 Spare brush only

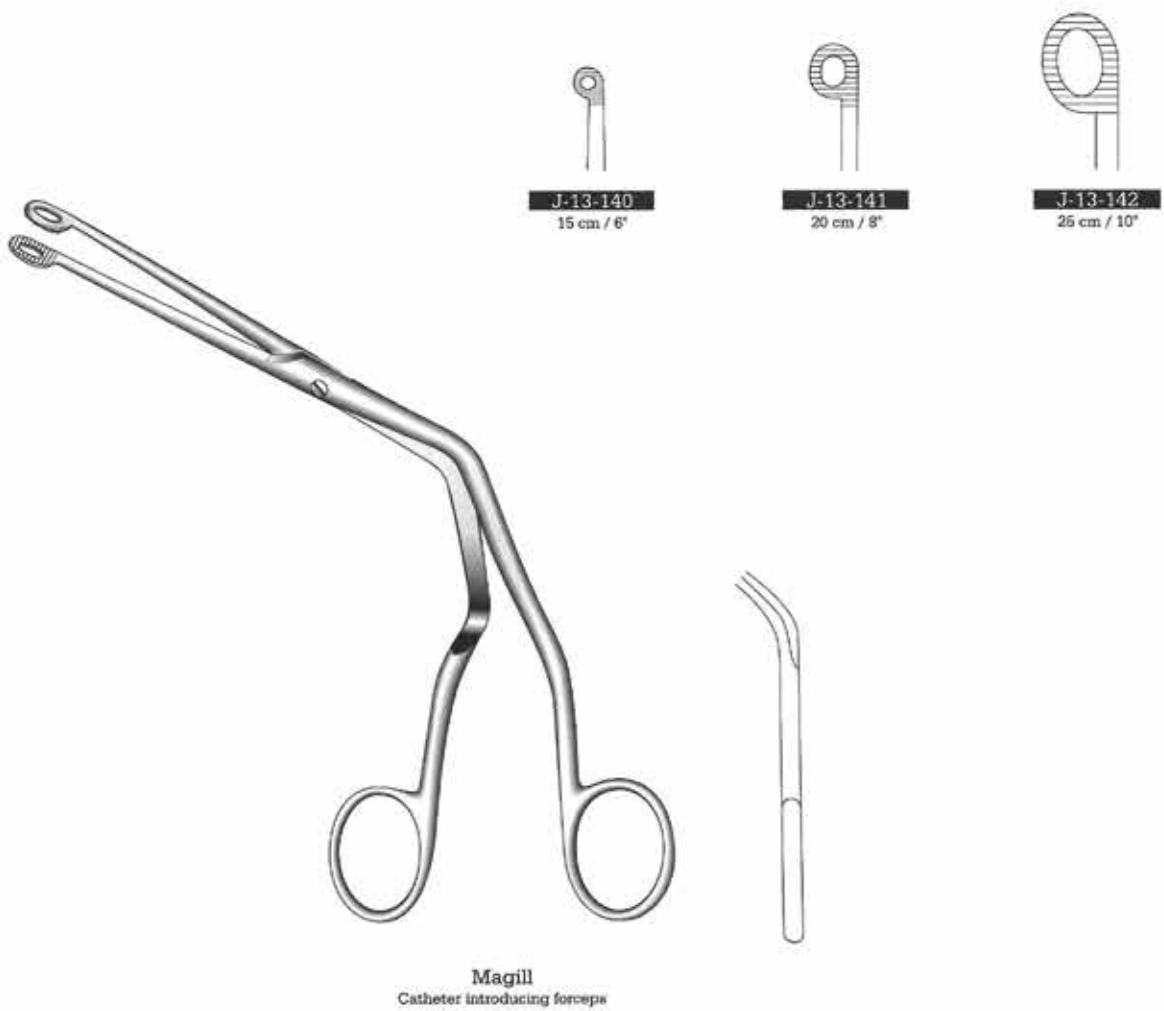
Rabiner
J-12-009
 Chrome plated, (Brass)
 25 cm / 10"
 With needle and brush

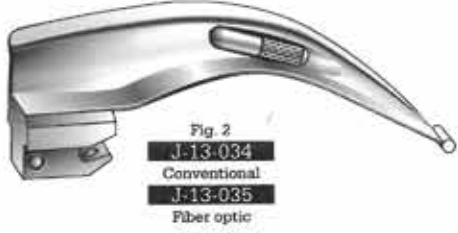
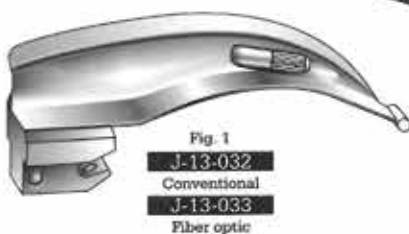
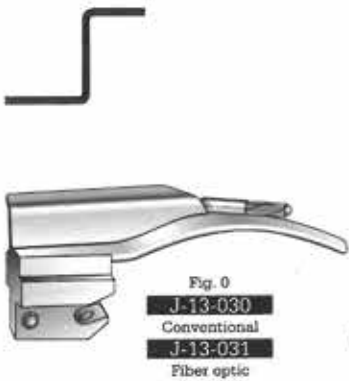
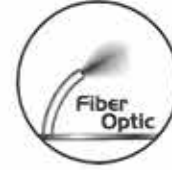


National Hospital
J-12-220 Rubber ring 50 mm Ø
J-12-221 Rubber ring 60 mm Ø
J-12-222 Rubber ring 70 mm Ø
J-12-223 Plastic handle only
 35.5 cm / 14"

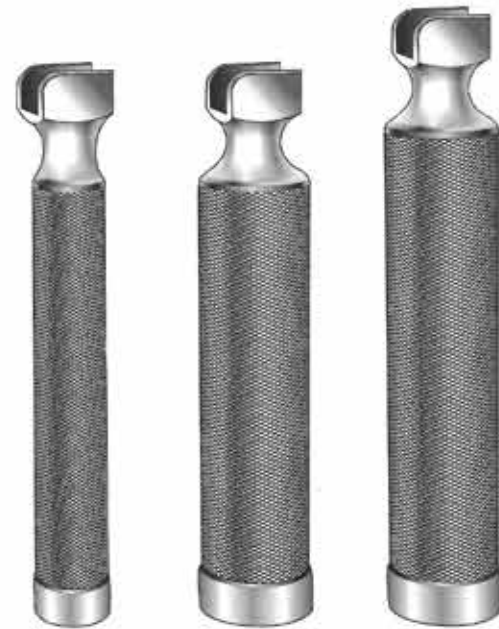


Babinski
J-12-010
 23 cm / 9"
 With plastic handle





- Mc Intosh**
J-13-001
 Conventional Laryngoscope set with medium handle
 Set of 3, Fig.1-Fig.3
J-13-151
 Conventional Laryngoscope set with medium handle
 Set of 4, Fig.1-Fig.4
J-13-040
 Fiber optic laryngoscope set with medium handle
 Set of 3, Fig.1-Fig.3
J-13-152
 Fiber optic laryngoscope set with medium handle
 Set of 4, Fig.1-Fig.4



- J-13-200**
 Spare small handle
 Conventional
J-13-300
 Spare small handle
 Fiber optic

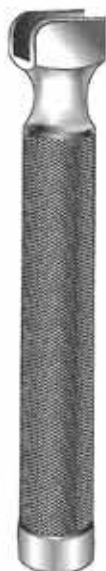
- J-13-210**
 Spare medium handle
 Conventional
J-13-310
 Spare medium handle
 Fiber optic

- J-13-220**
 Spare large handle
 Conventional
J-13-320
 Spare large handle
 Fiber optic



Miller

- J-13-002**
Conventional laryngoscope set with medium handle
Set of 3, fig. 1-fig. 3
- J-13-155**
Conventional laryngoscope set with medium handle
Set of 4, fig. 1-fig. 4
- J-13-050**
Fiber optic laryngoscope set with medium handle
Set of 3, fig. 1-fig. 3
- J-13-156**
Fiber optic laryngoscope set with medium handle
Set of 4, fig. 1-fig. 4



J-13-200
Spare small handle
Conventional

J-13-300
Spare small handle
Fiber optic



J-13-210
Spare medium handle
Conventional

J-13-310
Spare medium handle
Fiber optic



J-13-220
Spare large handle
Conventional

J-13-320
Spare large handle
Fiber optic



Fig. 0
J-13-051
Conventional
J-13-052
Fiber optic



Fig. 1
J-13-053
Conventional
J-13-054
Fiber optic



Fig. 2
J-13-055
Conventional
J-13-056
Fiber optic



Fig. 3
J-13-057
Conventional
J-13-058
Fiber optic



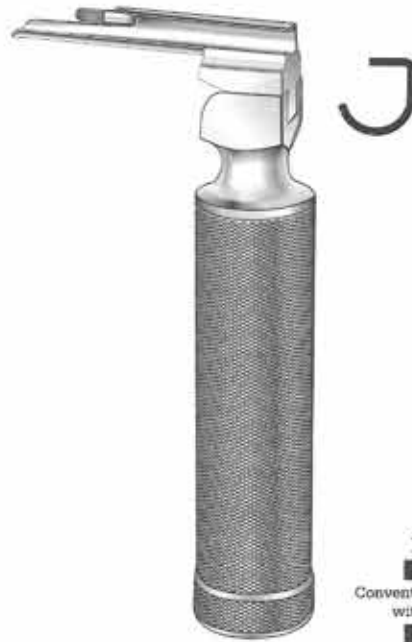
Fig. 4
J-13-059
Conventional
J-13-060
Fiber optic



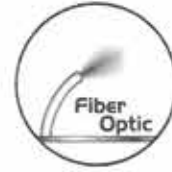
Fig. 0
J-13-075
 Conventional
J-13-076
 Fiber optic
 Working length 55 mm



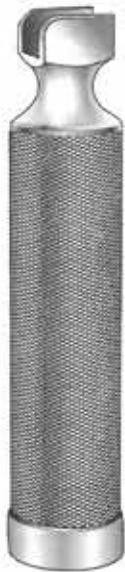
Fig. 1
J-13-073
 Conventional
J-13-074
 Fiber optic
 Working length 80 mm



Miller-Baby
J-13-003
 Conventional laryngoscope set
 with medium handle
J-13-070
 Fiber optic Laryngoscope set
 with medium handle



J-13-200
 Spare small handle
 Conventional



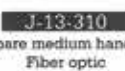
J-13-210
 Spare medium handle
 Conventional



J-13-220
 Spare large handle
 Conventional



J-13-300
 Spare small handle
 Fiber optic



J-13-310
 Spare medium handle
 Fiber optic



J-13-320
 Spare large handle
 Fiber optic



Guedel-Negus
J-13-006
 Conventional laryngoscope set with medium handle
 Set of 3
J-13-080
 Fiber optic laryngoscope set with medium handle
 Set of 3

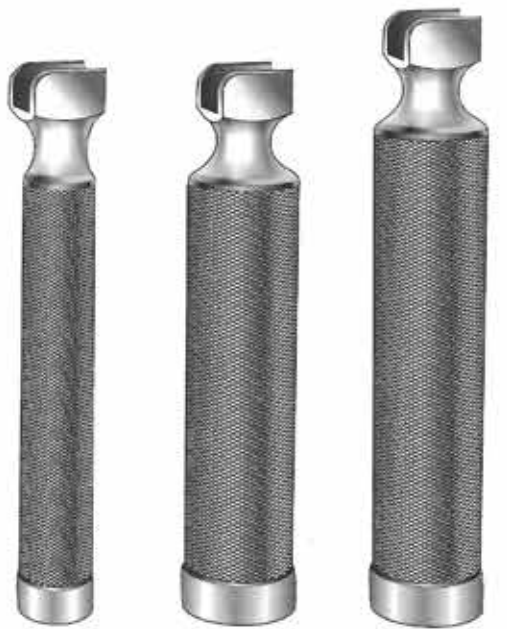


Guedel-Negus
J-13-007

Conventional laryngoscope set with medium handle
 Set of 4

J-13-085

Fiber optic Laryngoscope set with medium handle
 Set of 4



J-13-200
 Spare small handle
 Conventional

J-13-300
 Spare small handle
 Fiber optic

J-13-210
 Spare medium handle
 Conventional

J-13-310
 Spare medium handle
 Fiber optic

J-13-220
 Spare large handle
 Conventional

J-13-320
 Spare large handle
 Fiber optic



Fig. 1
J-13-008
 Conventional
J-13-086
 Fiber optic



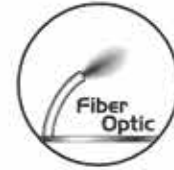
Fig. 2
J-13-009
 Conventional
J-13-087
 Fiber optic



Fig. 3
J-13-010
 Conventional
J-13-088
 Fiber optic



Fig. 4
J-13-011
 Conventional
J-13-089
 Fiber optic



Foregger

J-13-012

Conventional laryngoscope set with medium handle
 Set of 4

J-13-100

Fiber optic laryngoscope set with medium handle
 Set of 4



Fig. 1

J-13-013
 Conventional
J-13-101
 Fiber optic



Fig. 2

J-13-014
 Conventional
J-13-102
 Fiber optic



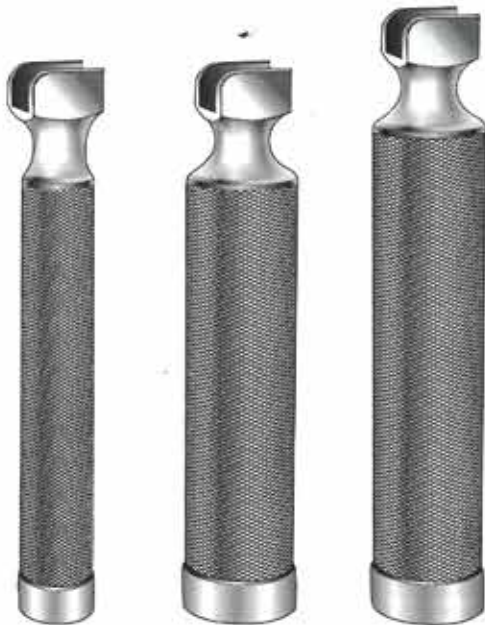
Fig. 3

J-13-015
 Conventional
J-13-103
 Fiber optic



Fig. 4

J-13-016
 Conventional
J-13-104
 Fiber optic



J-13-200

Spare small handle
 Conventional

J-13-210

Spare medium handle
 Conventional

J-13-220

Spare large handle
 Conventional

J-13-300

Spare small handle
 Fiber optic

J-13-310

Spare medium handle
 Fiber optic

J-13-320

Spare large handle
 Fiber optic



J-13-110

Calibrated with velcro cuff
mercury tube 300 mm,
also available with auto lock

J-13-111

Non calibrated with velcro cuff
mercury tube 300 mm,
also available with auto lock



J-13-120

Calibrated with velcro cuff, in bag
with manometer

J-13-121

Non calibrated with velcro cuff, in bag
with manometer